

ST78

汽车继电器 Automotive Relays

- 实现冲击负载电流60A、通电、切断35A的小型汽车继电器
- Miniature Automotive Relay with 60A Surge Current and 35A Switching Current.
- 外形尺寸 Outline dimensions: (15.6 12.2 13.7) mm



■ 用途举例 Application Examples

RoHS

- 油泵控制、加热控制、照明/闪光灯/指示灯控制等
- Fuel Pump Control、heating control、Wiper control instrument control etc.

■ 型号命名标准 Product Code Structure

ST78	-12	H	A	-(XXX)
基本型号 Type ST78				
线圈额定电压 Coil voltage 06, 09, 10, 12, 24,				
线圈功耗、负载电流 Contact rating and coil power Blank -标准型(800mW) , H-高灵敏度(600mW)				
触点结构 Contact form Blank-- FORM 1C , M – FORM 1A , B – FORM 1B				
封装形式 Category of protection V -- 非密封型 Flux proof , S-- 密封型 Wash tight				

线圈参数 Coil Data(DC)

额定电压 Rated voltage (V)	线圈电阻 Coil resistance (Ω)	吸合电压 Operate voltage	释放电压 Release voltage	最大允许电压 Max release voltage	额定功耗 Rated coil power
		额定电压的 % of rated voltage			
6	60	60% Max	10% Min	130%	Approx. 600mW
9	135				
10	167				
12	240				
6	45				Approx. 800mW
9	100				
10	125				
12	180				

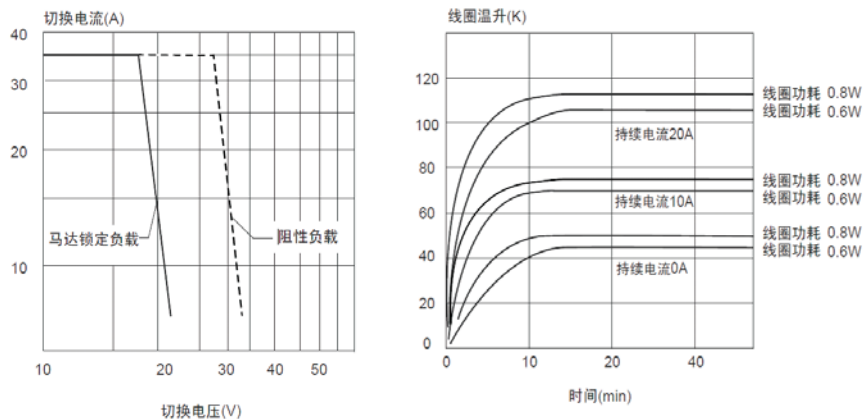
触点参数 Contact Data

接触电阻 Contact resistance	100m Ω max (1A/6VDC)
额定负载 rated load	A型: 20A/14VDC 阻性 B、C型: 15A/14VDC阻性
最大连续电流 Max. continuous current	35A/10min,25A/1 Hr.
最大切换电流 Max. switching current	35A
最大冲击电流 Max. inrush current	60A
最大连续电压 Max. switching voltage	30VDC
机械寿命 Mechanical endurance,	1x10 ⁷ ops
电气寿命 Electrical endurance	1x10 ⁶ ops

性能参数 Characteristics

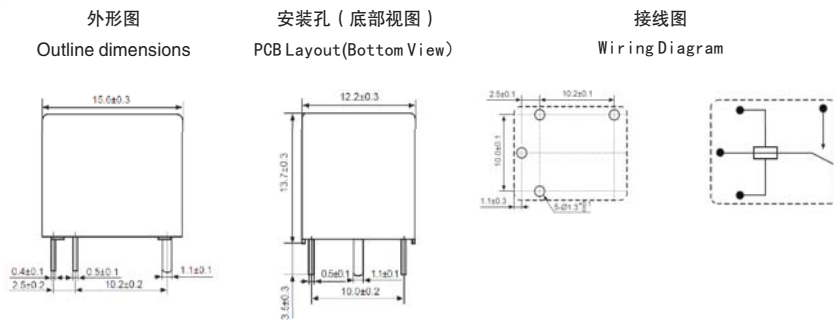
吸合时间 Operate time	≤ 10 ms	
释放时间 Release time	≤ 10 ms	
绝缘电阻 Insulation resistance	1000M Ω 以上 (500VDC)	
介质耐压 Initial dielectric strength	线圈触点间 Between contact and coil	AC500V 50/60Hz 1min
	开路触点间 Between open contacts	AC500V 50/60Hz 1min
振动 Vibration resistance	10~55~10Hz (双振幅 1.5mm) (double amplitude 1.5mm)	
冲击 Shock resistance	稳定性 Functional	100m/S ² (10G)
	强度 Destructive	1000m/S ² (100G)
温度范围 Ambient operating temperature	-40°C~+85 °C ;	
湿度范围 Ambient operating humidity	35 ~ 95%RH, +40 °C	
重量 Weight	Approx.6g	

性能曲线 Engineering Data



外形图、接线图、安装孔尺寸 Outline dimensions、PCB Layout、Wiring Diagram (mm)

1) 1C



2) 1B

